



INSTRUCTION MANUAL

900002800G

INFRARED ILLUMINATOR ENCLOSURE



FC CE



IP66 RoHS

SAFETY WARNING / HOUSING SPECIFICATIONS

CAUTION:

TO REDUCE RISK OF FIRE OR ELECTRIC SHOCK, DO NOT REMOVE COVER.
NO USER SERVICEABLE PARTS INSIDE.
REFER SERVICING TO QUALIFIED SERVICE PERSONNEL.

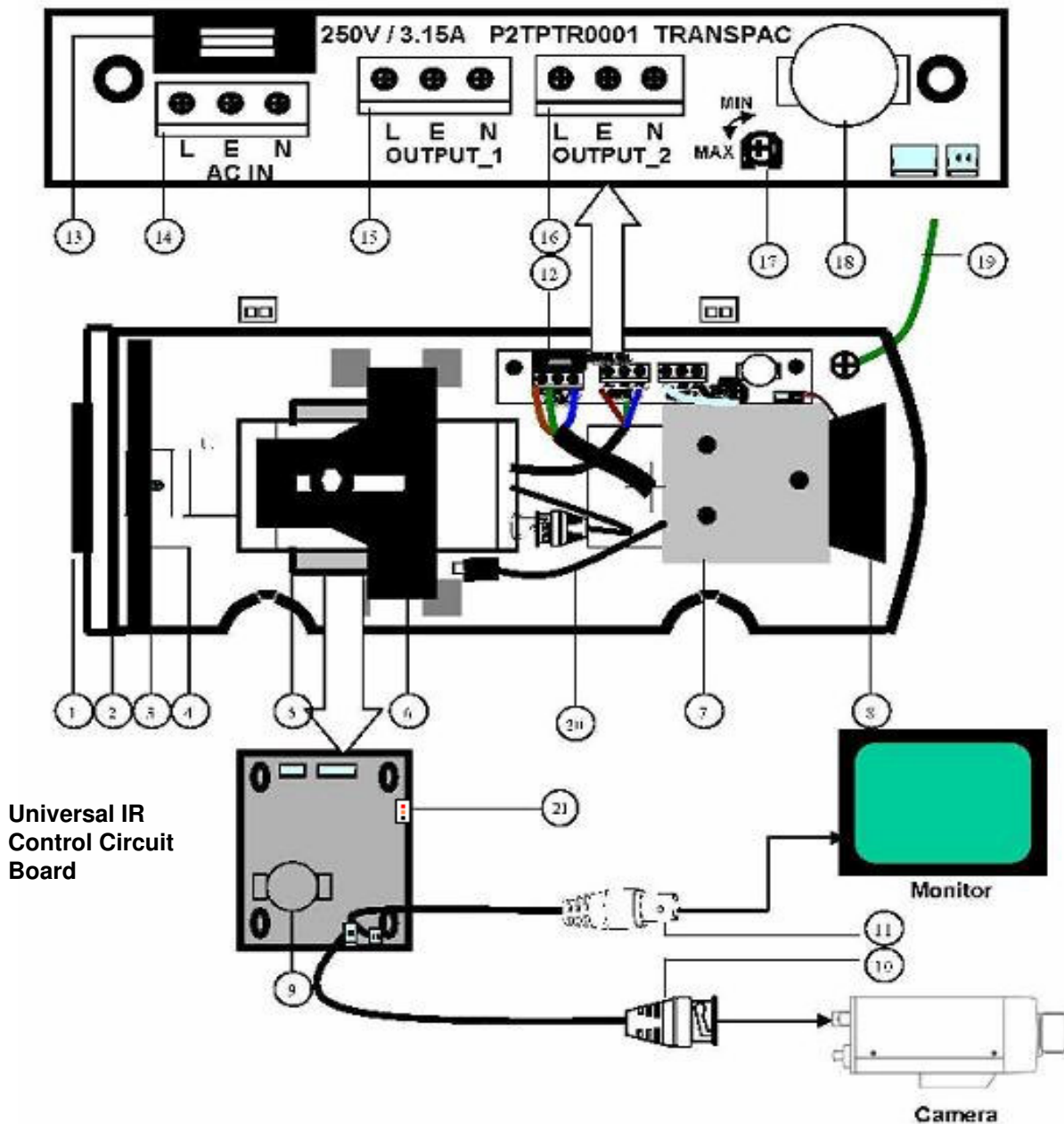
UNPACKING:

Unpack carefully. Electronic components can be damaged if improperly handled or dropped. If an item appears having been damaged in shipment, place it properly in its carton and notify the shipper.

IMPORTANT NOTE:

- 1.Read and follow Instructions:** All operating and user instructions should be read and followed before the unit is to be operated.
- 2.Electrical Connections:** Only a qualified electrician allow to make electrical connections.

Model Number	900002800G	
LED Quantity	11 IR LEDs	
IR Light Distance Approach To	120M	
IR Light ON/OFF	Photo Diode Sensor Control	
Infrared Bean Angle	25° or 45°	
Power Input	AC24V (+/-10%)	AC90~240V (+/-10%)
Rating Current	3.5A	
Heater Control	18°C (ON) / 28°C (OFF) & 0°C (ON) / 10°C (OFF)	
Blower Control	35°C (ON) / 25°C (OFF)	
Environmental Operation Temp.	-40°C ~ +50°C	
Protection Level	IP66	
Temper Glass thickness	4mm	
Mounting Bracket	Fully-cable Management	
Construction	Die-Cast Aluminum Alloy	
Coating	Ivory Powder Stove	
Dimension	425(L) x 160(W) x 165(H) mm	
Camera Space	200(L) x 110(W) x 115(H) mm	
Net Weight	5230gm	

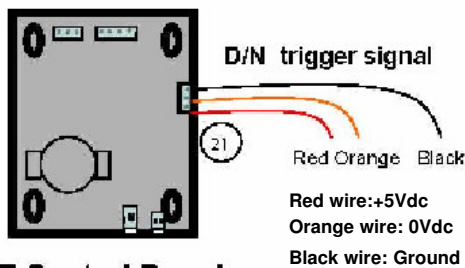


1. Lens Cap with Heater
2. Temper Glass
3. IR LED
4. IR Board and IR Board Bracket
5. Universal IR Control Circuit Board: To control color/mono switching and IR on/off synchronization.
6. Camera Bracket
7. Power Supply Unit : AC24V or AC90~240V power input , DC12V output.

8. Blower and Blower Bracket
9. Thermostat Switch
10. Video Input BNC Male Connector : Connect to camera.
11. Video Out BNC Female Connector : Connect to monitor.
12. Terminal Board
13. Fuse Holder : With 250V/3.15A fuse .
14. AC IN Terminal block : AC 24V or AC 90~240V external power input .
15. OUTPUT_1 Spare Terminal Block : For AC 24V or AC 90~240V Camera use .
16. OUTPUT_2 : To power supply unit .
17. VR : To adjust the Infrared LED activation level.
18. Thermostat Switch : Turn on at 35 ° C and turn off at 25 ° C for Blower.
19. Ground Wire: To top cover.
20. DC 12V Power-in Jack: For DC12V Camera use.
21. D/N trigger signal: To control the color/mono switching of D/N camera.

IMPORTANT NOTE

1. The Camera of TPH 6000-024/ICV Series and TPH 6000-080/ICV Series is well connected, please ignore the wiring instruction below.
2. If you use other D/N Cameras, please refer to the wiring diagram as below.



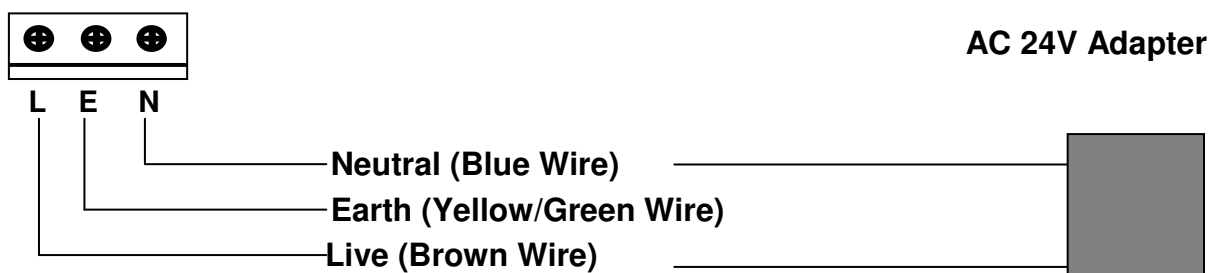
IR Control Board

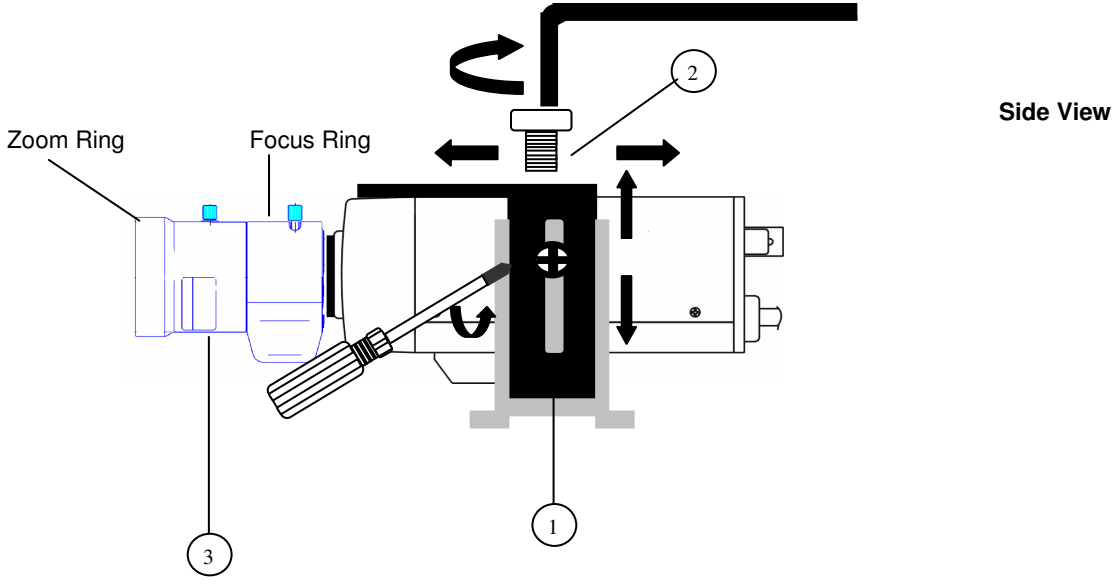
A: If IR trigger signal is on the high position (+5Vdc), connect the Red and Black wire to D/N trigger line +/- of camera

B: If IR trigger signal is on the Low position (+0Vdc), connect the Orange and Black wire to D/N trigger line +/- of camera.

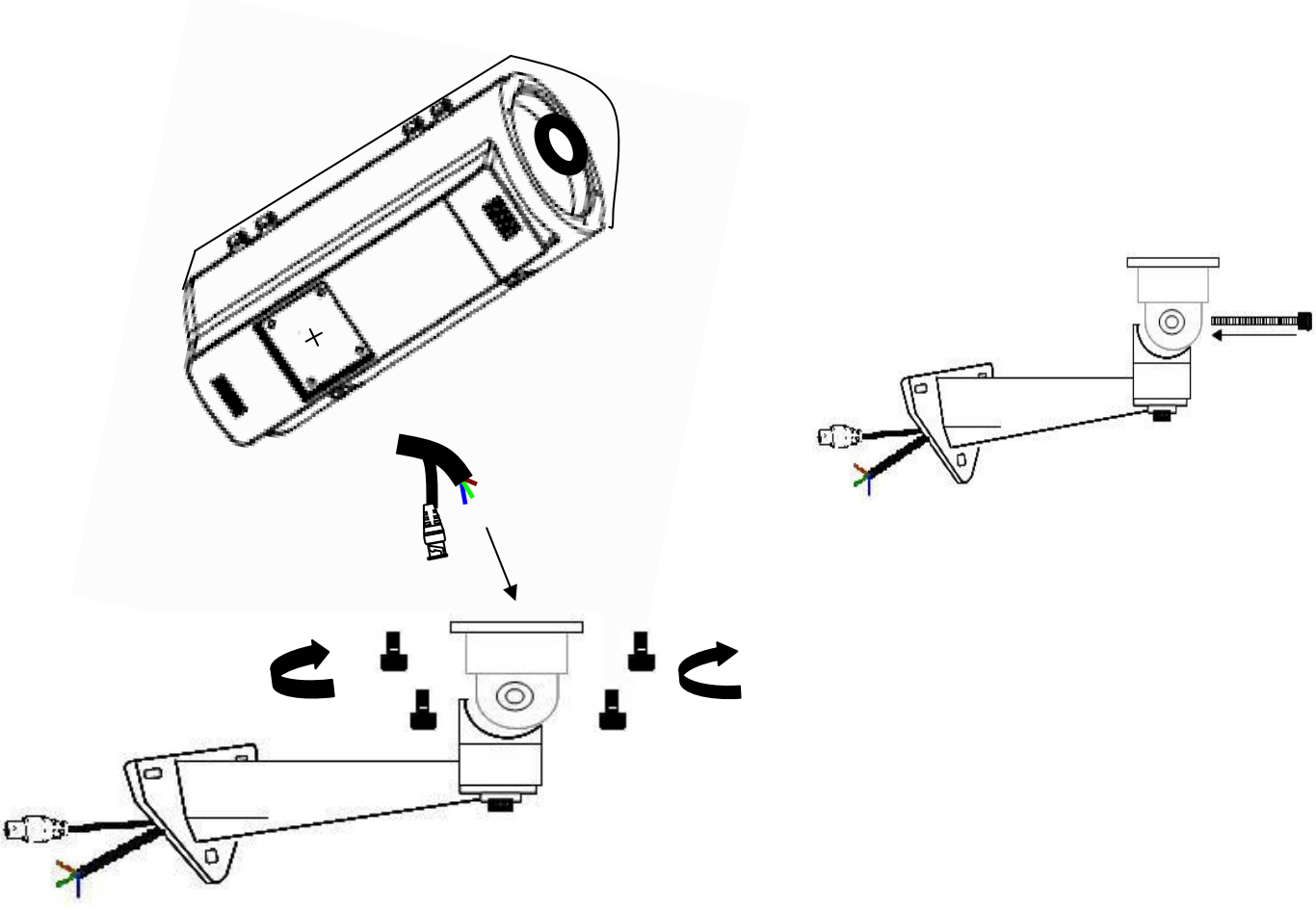
Note: When using two-cord power cable, please connect them to “Live” and “Neutral”

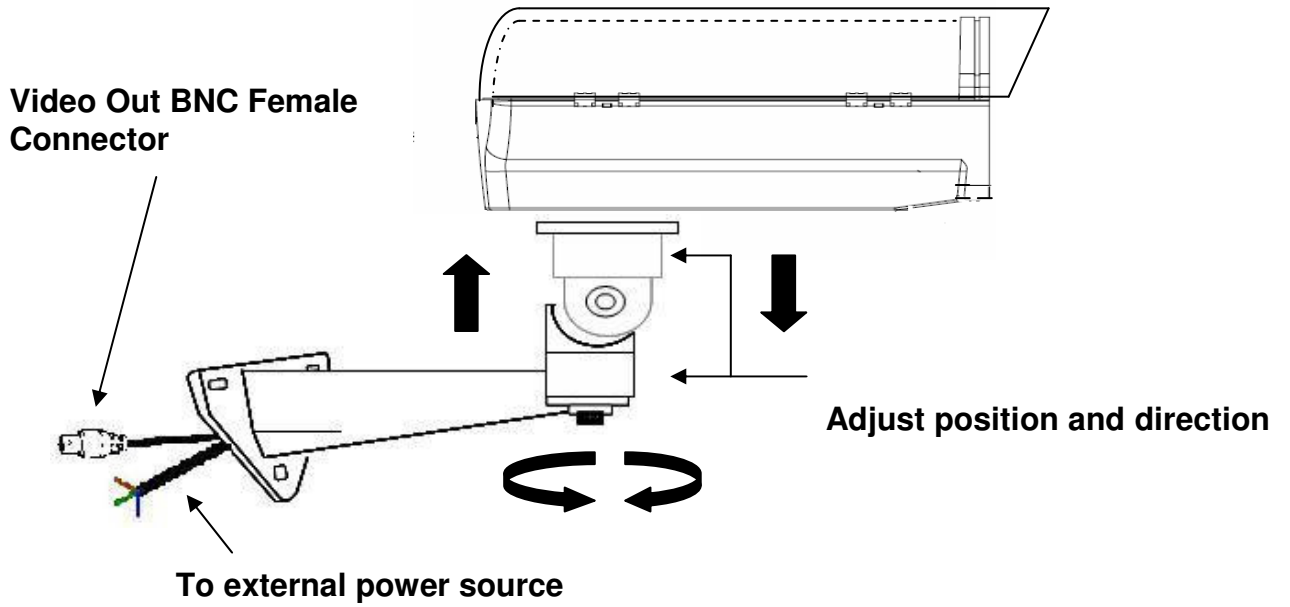
External Power Input Connection :



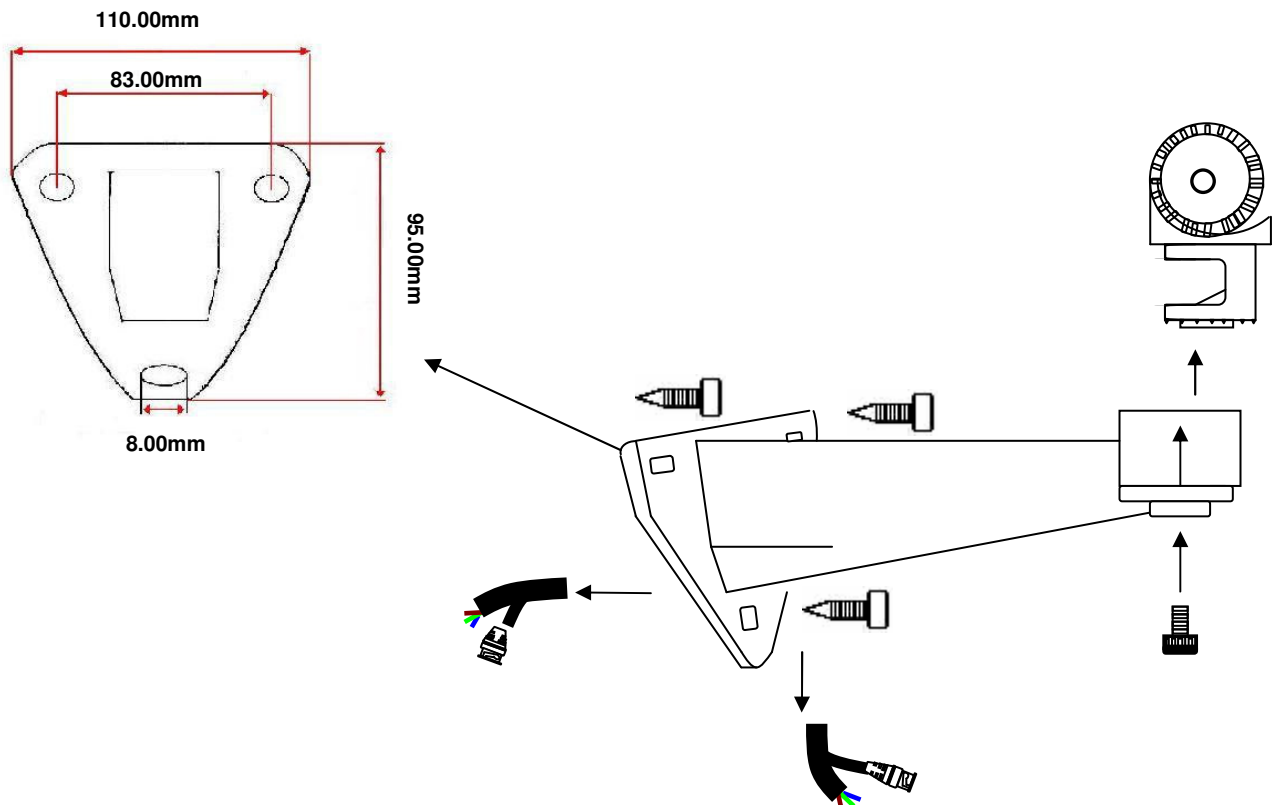


- 1. Loosen two screws on both sides of the camera bracket first.
- 2. Use provided screw to fix the camera on the camera bracket.
- 3. Adjust zoom, focus and iris of the lens on the camera.





Dimensions of Bracket Base





VIVOTEK INC.

6F, No. 192, Lien-Cheng Rd., Chung-Ho, Taipei County, Taiwan, R.O.C

Tel +886 2 8245-5282 Fax +886 2 8245-5532

www.vivotek.com